



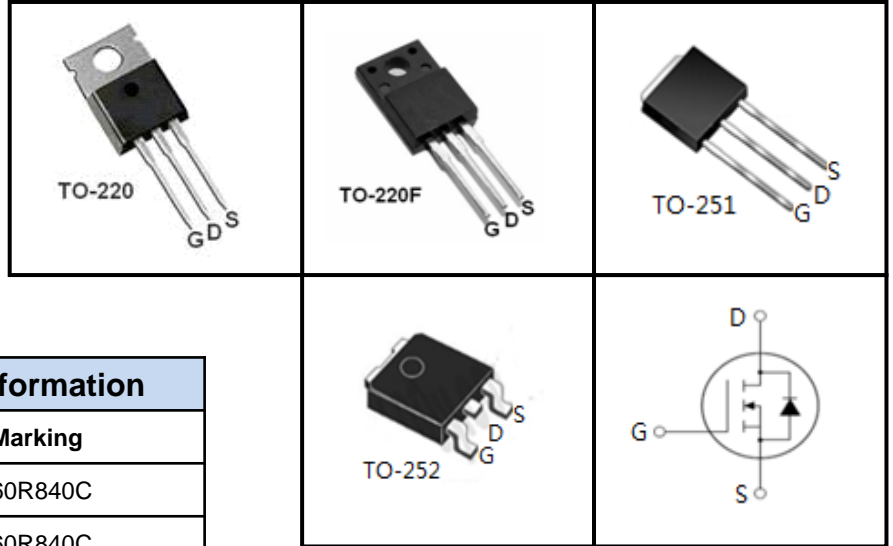
## 600V Super-Junction Power MOSFET

### FEATURES

- Very low FOM  $R_{DS(on)} \times Q_g$
- 100% avalanche tested
- RoHS compliant

### APPLICATIONS

- Switch Mode Power Supply (SMPS)
- Uninterruptible Power Supply (UPS)
- Power Factor Correction (PFC)



Device Marking and Package Information		
Device	Package	Marking
TPP60R840C	TO-220	60R840C
TPA60R840C	TO-220F	60R840C
TPU60R840C	TO-251	60R840C
TPD60R840C	TO-252	60R840C

Absolute Maximum Ratings $T_C = 25^\circ\text{C}$ , unless otherwise noted						
Parameter	Symbol	Value				Unit
		TO-220	TO-251	TO-252	TO-220F	
Drain-Source Voltage ( $V_{GS} = 0V$ )	$V_{DSS}$	600				V
Continuous Drain Current	$I_D$	4				A
Pulsed Drain Current (note1)	$I_{DM}$	12				A
Gate-Source Voltage	$V_{GSS}$	$\pm 30$				V
Single Pulse Avalanche Energy (note2)	$E_{AS}$	120				mJ
Avalanche Current (note1)	$I_{AR}$	2				A
Repetitive Avalanche Energy (note1)	$E_{AR}$	0.09				mJ
Power Dissipation ( $T_C = 25^\circ\text{C}$ )	$P_D$	36.8			31.3	W
Operating Junction and Storage Temperature Range	$T_J, T_{stg}$	-55~+150				$^\circ\text{C}$

Thermal Resistance						
Parameter	Symbol	Value				Unit
		TO-220	TO-251	TO-252	TO-220F	
Thermal Resistance, Junction-to-Case	$R_{thJC}$	3.4			4.0	$^\circ\text{C/W}$
Thermal Resistance, Junction-to-Ambient	$R_{thJA}$	75			80	



Specifications $T_J = 25^\circ\text{C}$ , unless otherwise noted						
Parameter	Symbol	Test Conditions	Value			Unit
			Min.	Typ.	Max.	
<b>Static</b>						
Drain-Source Breakdown Voltage	$V_{(BR)DSS}$	$V_{GS} = 0V, I_D = 250\mu A$	600	--	--	V
Zero Gate Voltage Drain Current	$I_{DSS}$	$V_{DS} = 600V, V_{GS} = 0V, T_J = 25^\circ\text{C}$	--	--	1	$\mu A$
		$V_{DS} = 600V, V_{GS} = 0V, T_J = 150^\circ\text{C}$	--	--	100	
Gate-Source Leakage	$I_{GSS}$	$V_{GS} = \pm 30V$	--	--	$\pm 100$	nA
Gate-Source Threshold Voltage	$V_{GS(th)}$	$V_{DS} = V_{GS}, I_D = 250\mu A$	2.5	--	4	V
Drain-Source On-Resistance (Note3)	$R_{DS(on)}$	$V_{GS} = 10V, I_D = 2A$	--	0.72	0.83	$\Omega$
Forward Transconductance (Note3)	$g_{fs}$	$V_{DS} = 10V, I_D = 2A$	--	3	--	S
<b>Dynamic</b>						
Input Capacitance	$C_{iss}$	$V_{GS} = 0V,$ $V_{DS} = 50V,$ $f = 1.0\text{MHz}$	--	350	--	$\mu F$
Output Capacitance	$C_{oss}$		--	40	--	
Reverse Transfer Capacitance	$C_{rss}$		--	3.5	--	
Total Gate Charge	$Q_g$	$V_{DD} = 480V, I_D = 4A,$ $V_{GS} = 10V$	--	7	--	nC
Gate-Source Charge	$Q_{gs}$		--	1.5	--	
Gate-Drain Charge	$Q_{gd}$		--	2.5	--	
Turn-on Delay Time	$t_{d(on)}$	$V_{DD} = 400V, I_D = 4A,$ $R_G = 25\Omega$	--	7.7	--	ns
Turn-on Rise Time	$t_r$		--	5.9	--	
Turn-off Delay Time	$t_{d(off)}$		--	33	--	
Turn-off Fall Time	$t_f$		--	18.2	--	
<b>Drain-Source Body Diode Characteristics</b>						
Continuous Body Diode Current	$I_S$	$T_C = 25^\circ\text{C}$	--	--	2.8	A
Pulsed Diode Forward Current	$I_{SM}$		--	--	8.3	
Body Diode Voltage	$V_{SD}$	$T_J = 25^\circ\text{C}, I_{SD} = 4A, V_{GS} = 0V$	--	0.9	1.2	V
Reverse Recovery Time	$t_{rr}$	$V_R = 480V, I_F = I_S,$ $di_F/dt = 100A/\mu s$	--	220	--	ns
Reverse Recovery Charge	$Q_{rr}$		--	0.9	--	$\mu C$
Peak Reverse Recovery Current	$I_{rrm}$		--	8	--	A

**Notes**

1. Repetitive Rating: Pulse width limited by maximum junction temperature
2.  $I_{AS} = 2A, V_{DD} = 50V, R_G = 25\Omega, \text{Starting } T_J = 25^\circ\text{C}$
3. Pulse Test: Pulse width  $\leq 300\mu s, \text{Duty Cycle } \leq 1\%$



Typical Characteristics  $T_J = 25^\circ\text{C}$ , unless otherwise noted

Figure 1. Output Characteristics

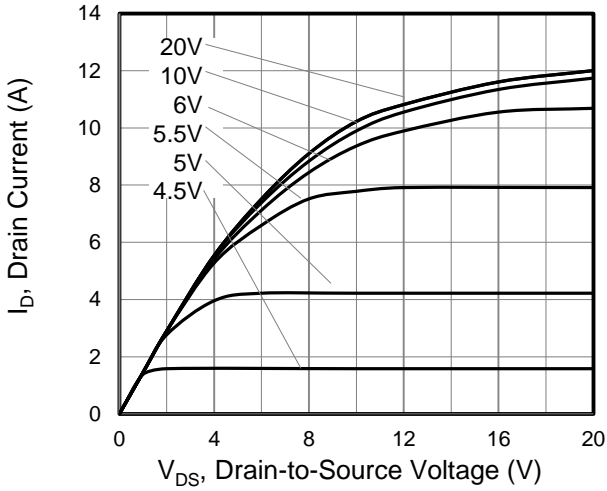


Figure 2. Transfer Characteristics

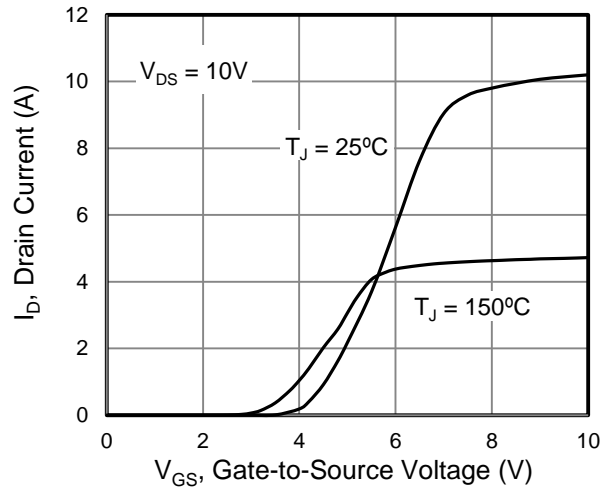


Figure 3. On-Resistance vs. Drain Current

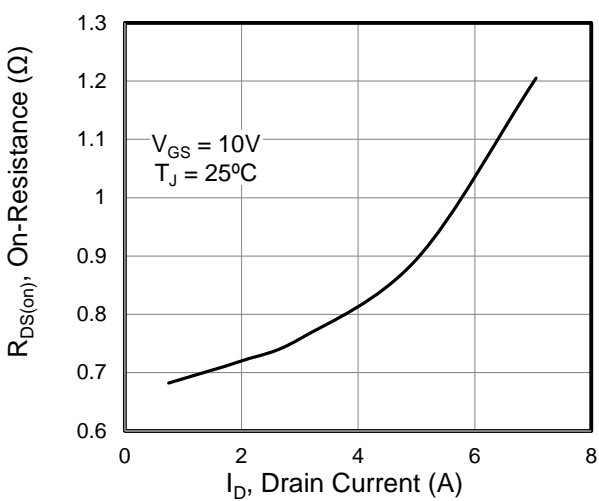


Figure 4. Capacitance

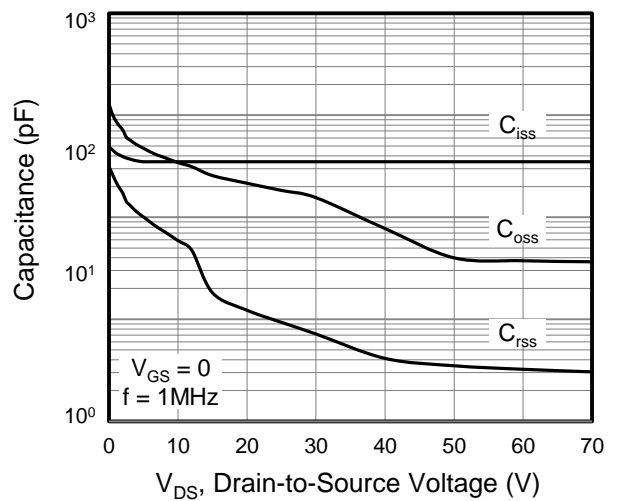


Figure 5. Gate Charge

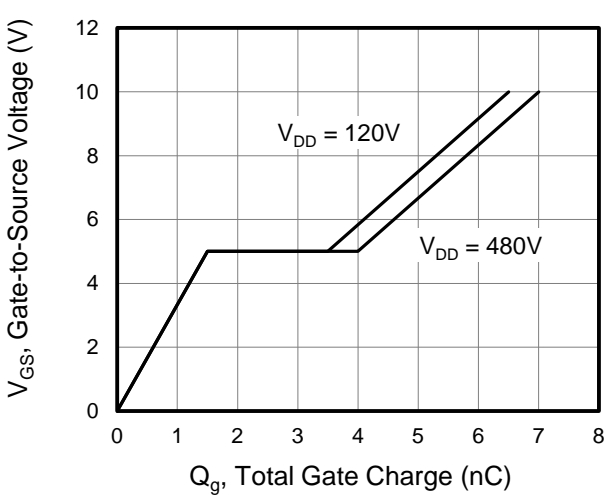
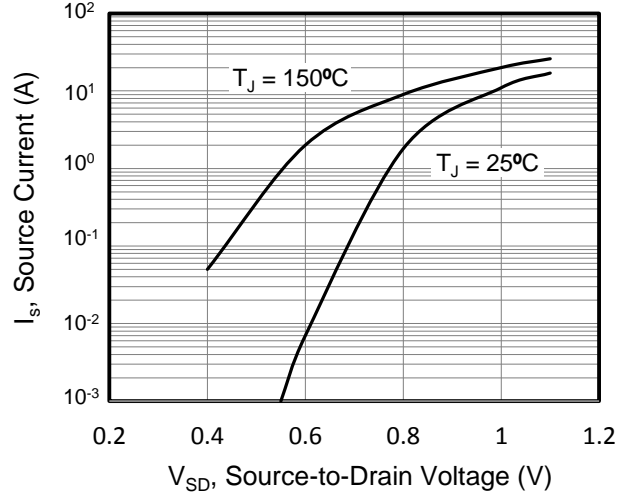


Figure 6. Body Diode Forward Voltage





Typical Characteristics  $T_J = 25^\circ\text{C}$ , unless otherwise noted

Figure 7. On-Resistance vs. Junction Temperature

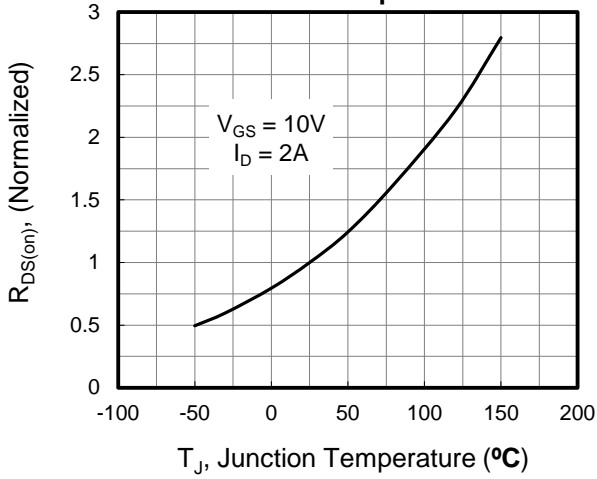


Figure 8. Threshold Voltage vs. Junction Temperature

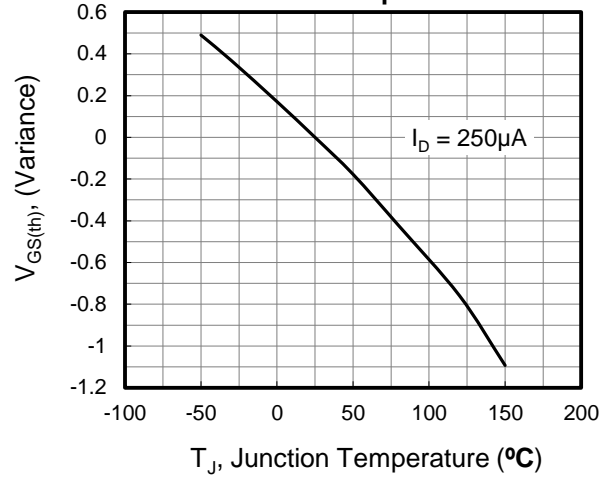


Figure 9. Transient Thermal Impedance TO-220/TO-251/TO-252

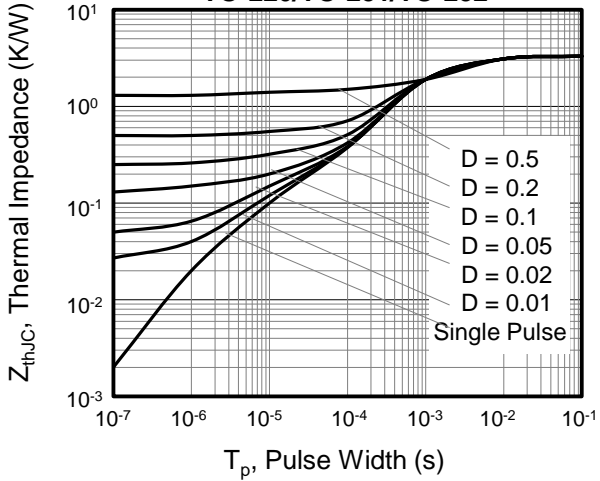


Figure 10. Transient Thermal Impedance TO-220F

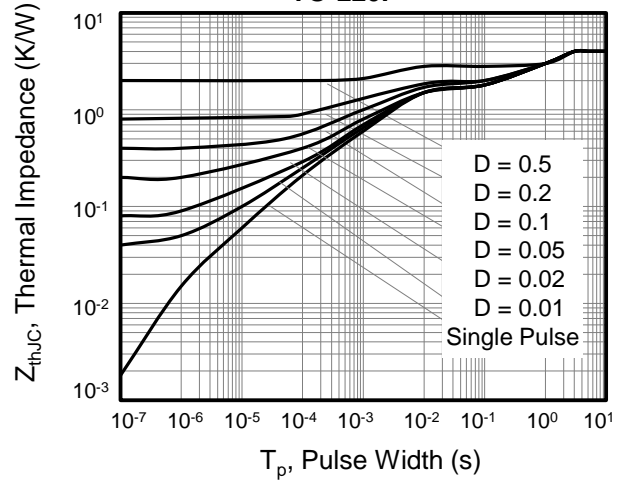




Figure A: Gate Charge Test Circuit and Waveform

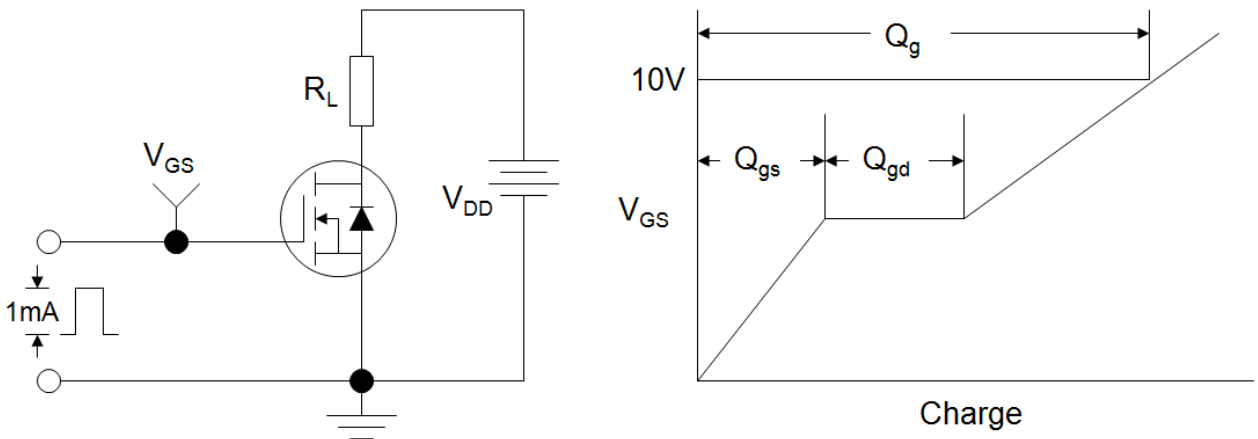


Figure B: Resistive Switching Test Circuit and Waveform

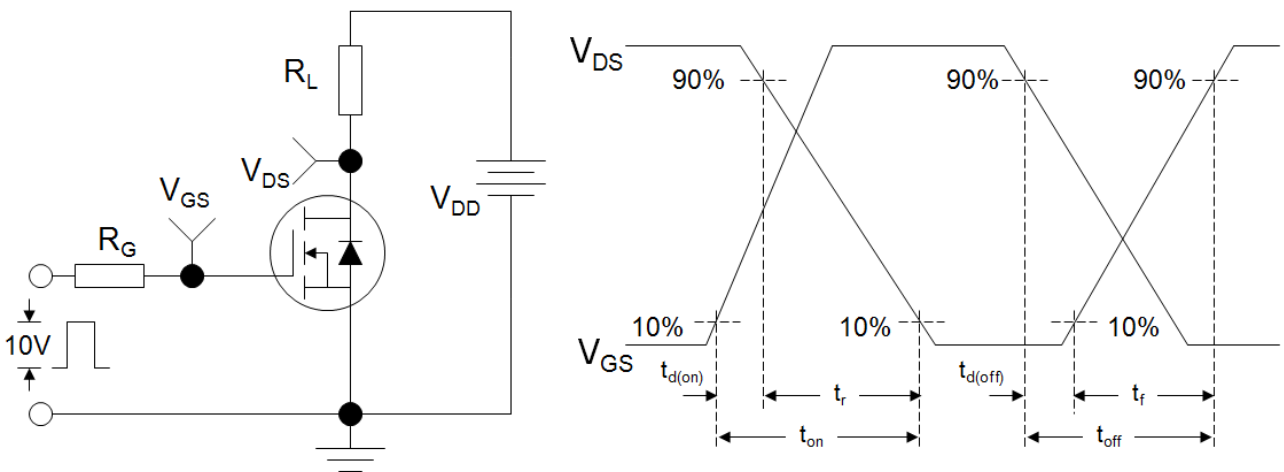
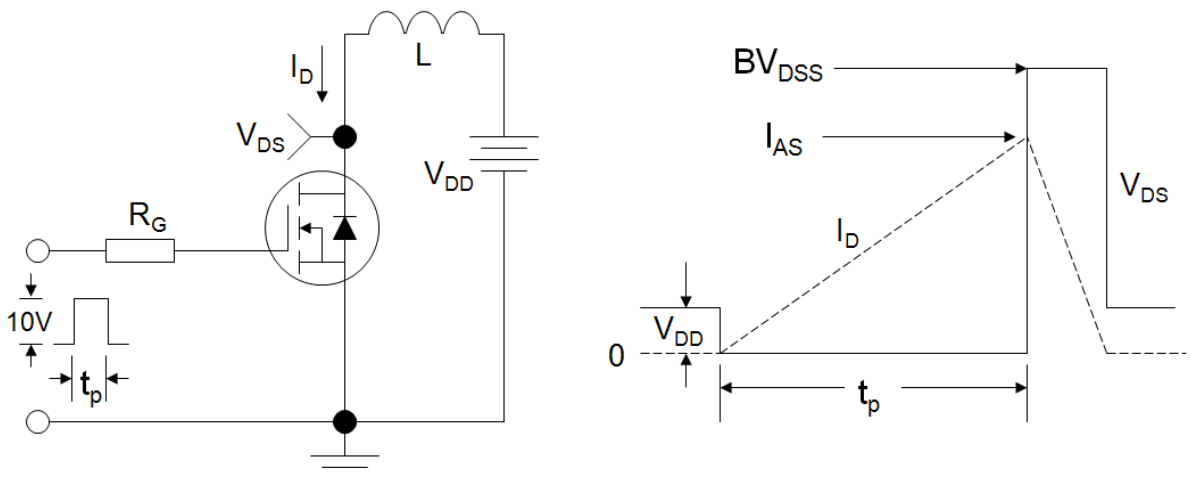
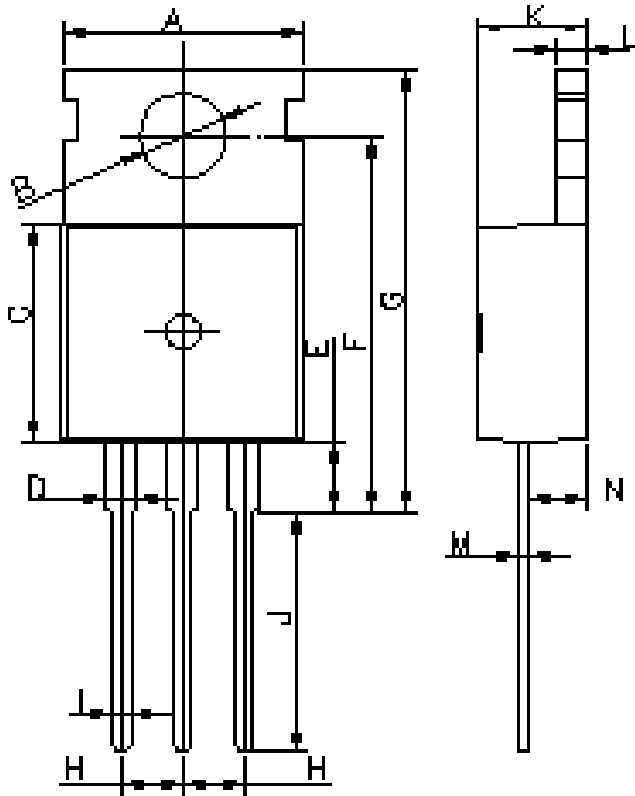


Figure C: Unclamped Inductive Switching Test Circuit and Waveform





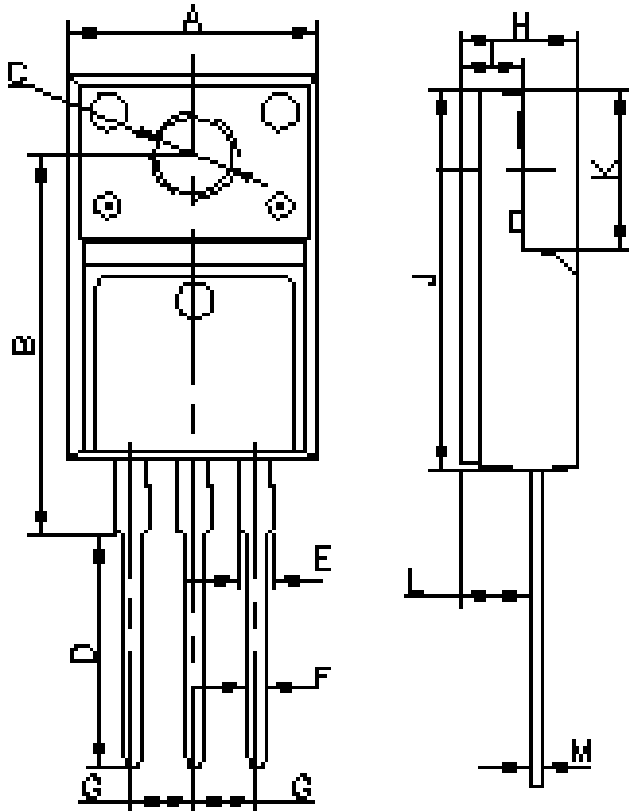
## TO-220



Unit: mm		
Symbol	Min.	Max.
A	9.70	10.10
B	3.50	3.70
C	9.00	9.40
D	1.17	1.47
E	2.80	3.20
F	25.80	16.20
G	18.95MAX	
H	2.44	2.84
I	0.70	0.90
J	9.78	10.38
K	4.30	4.70
L	1.20	1.40
M	0.40	0.80
N	2.25	2.55



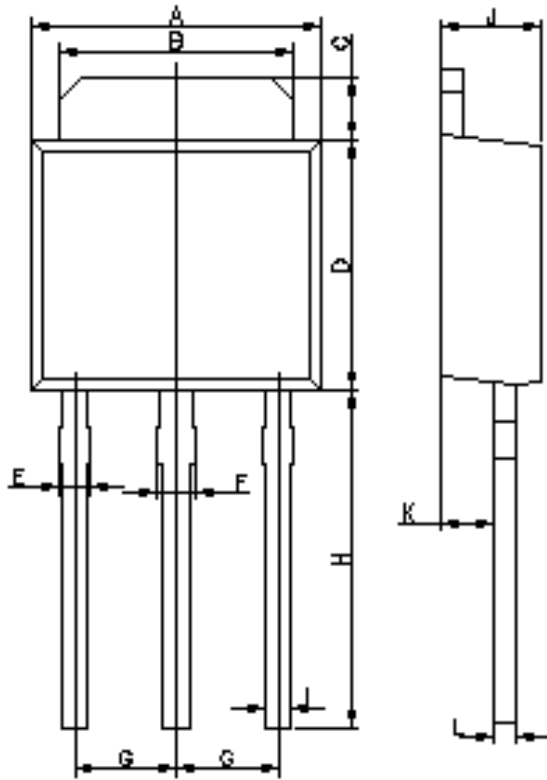
### TO-220F



Unit: mm		
Symbol	Min.	Max.
A	9.96	10.36
B	15.5	16.1
C	3.08	3.28
D	12.64	13.24
E	1.18	1.58
F	0.7	0.9
G	2.39	2.69
H	4.5	4.9
I	2.34	2.74
J	15.67	16.07
K	6.5	6.9
L	2.56	2.96
M	0.4	0.6



## TO-251

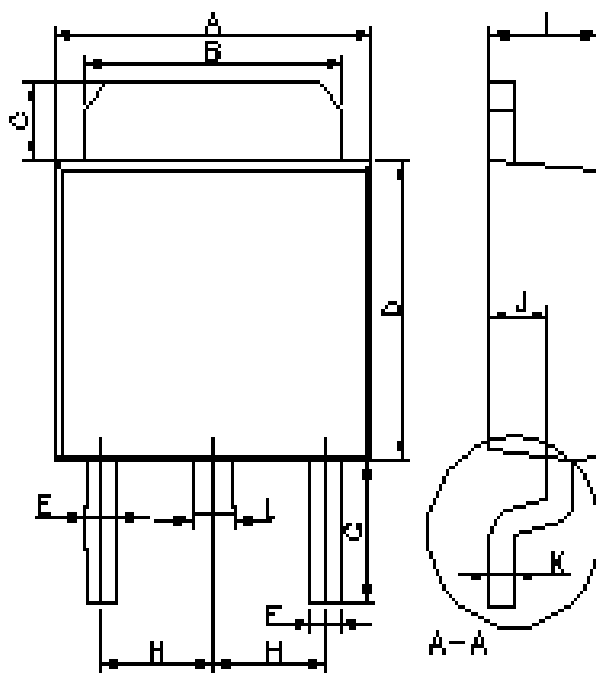


Unit: mm		
Symbol	Min.	Max.
A	6.40	6.80
B	5.15	5.45
C	1.45	1.75
D	5.40	5.80
E	0.45	0.85
F	0.65	1.05
G	2.10	2.50
H	7.20	7.80
I	0.50	0.70
J	2.10	2.50
K	1.05	1.35
L	0.40	0.60





## TO-252



Unit: mm		
Symbol	Min.	Max.
A	6.40	6.80
B	5.15	5.45
C	1.45	1.75
D	5.40	5.80
E	0.50	0.90
F	0.50	0.70
G	2.40	3.00
H	2.15	2.45
I	2.10	2.50
J	1.05	1.35
K	0.40	0.60
L	0.75	1.05



## Disclaimer

All product specifications and data are subject to change without notice.

For documents and material available from this datasheet, Wuxi Tongfang does not warrant or assume any legal liability or responsibility for the accuracy, completeness of any product or technology disclosed hereunder.

No license, express or implied, by estoppels or otherwise, to any intellectual property rights is granted by this document or by any conduct of Wuxi Tongfang.

The products shown herein are not designed for use in medical, life-saving, or life-sustaining applications unless. Customers using or selling Wuxi Tongfang products not expressly indicated for use in such applications do so entirely at their own risk and agree to fully indemnify Wuxi Tongfang for any damages arising or resulting from such use or sale.

Wuxi Tongfang disclaims any and all liability arising out of the use or application of any product described herein or of any information provided herein to the maximum extent permitted by law. The product specifications do not expand or otherwise modify Wuxi Tongfang's terms and conditions of purchase, including but not limited to the warranty expressed therein, which apply to these products.

Wuxi Tongfang Microelectronics CO., LTD. strives to supply high-quality high-reliability products. However, any and all semiconductor products fail with some probability. It is possible that these probabilistic failures could give rise to accidents or events that could endanger human lives that could give rise to smoke or fire, or that could cause damage to other property. When designing equipment, adopt safety measures so that these kinds of accidents or events cannot occur. Such measures include but are not limited to protective circuits and error prevention circuits for safe design, redundant design, and structural design.

In the event that any or all Wuxi Tongfang products(including technical data, services) described or contained herein are controlled under any of applicable local export control laws and regulations, such products must not be exported without obtaining the export license from the authorities concerned in accordance with the above law.

Information (including circuit diagrams and circuit parameters) herein is for example only; it is not guaranteed for volume production. Wuxi Tongfang believes information herein is accurate and reliable, but no guarantees are made or implied regarding its use or any infringements of intellectual property rights or other rights of third parties.